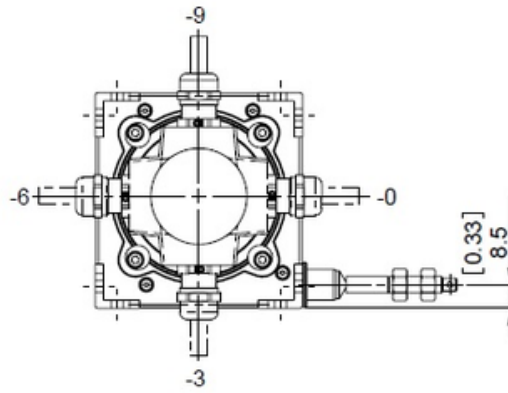


ASSEMBLING AID



CONNECTION ORIENTATION